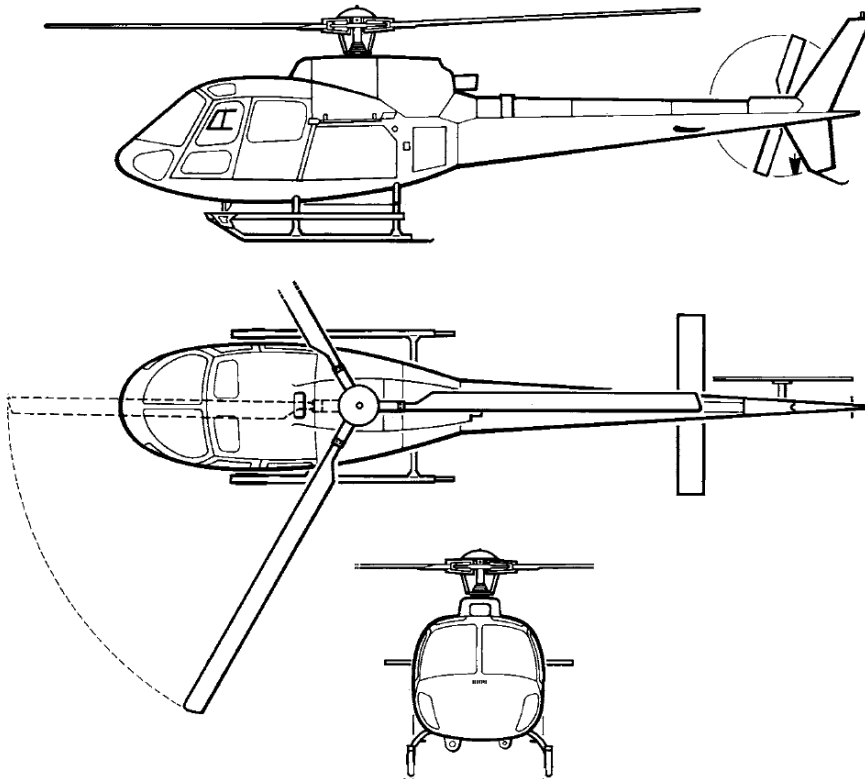




**AIRBUS H125
(EUROCOPTER AS350)
CABIN AIR
CONDITIONER**

AIRBUS H125 (EUROCOPTER AS350) CABIN AIR CONDITIONING SYSTEM

The Airbus H125 (Eurocopter AS350) Series helicopter is the top of its class single-engine helicopter known for outstanding performance, versatility, low maintenance, safety, and low acquisition costs, while excelling in high & hot extreme environments. The H125 is a true multi-mission aircraft utilized by law enforcement, medical transport, firefighting, search and rescue, and tour and passenger transport worldwide.



AIRBUS H125 (EUROCOPTER AS350) CABIN AIR CONDITIONING SYSTEM

SYSTEM OVERVIEW

RSG's air conditioning kit is the perfect climate control solution for the Airbus H125 multi-mission workhorse.

- FAA PMA STC: SH3509SW (AS-350 B, B1, B2, B3, BA, C, D, D1: EC130B4)
- EASA IM.R.S.01243
- ANAC-Brasil #1006S12-08, 09, 10
- Dual 5" Condenser Blower Motor Located in Tail Boom Compartment (-031 configuration option)
- Single 7" Condenser Blower Motor Located in Right Hand Side Baggage Compartment (-011 configuration option)
- Dual Air Distribution with Multiple Speed Fans and Controls
- Compressor Provides 28,500 BTU with Dual Evaporators
- Lightweight, Only 80 Lbs (36.3 Kg.)
- Uses Environmentally Friendly R-134a Refrigerant
- Qualified High Reliability, Low Noise, Brushless Motor Assemblies
- Options for Smooth or Grooved Pulley are Available



AIRBUS H125 (EUROCOPTER AS350) CABIN AIR CONDITIONING SYSTEM

CONFIGURATION OPTIONS

The Airbus H125 (Eurocopter AS350) series air conditioning kits are available in 2 different configuration options to suit your specific needs. The kits are available with a side baggage compartment or tail boom installation option, along with various options for vent and switch placement.

PART NUMBER (-011)
SIDE MOUNTED OPTION

350-00-011-HP AEC Basic Version

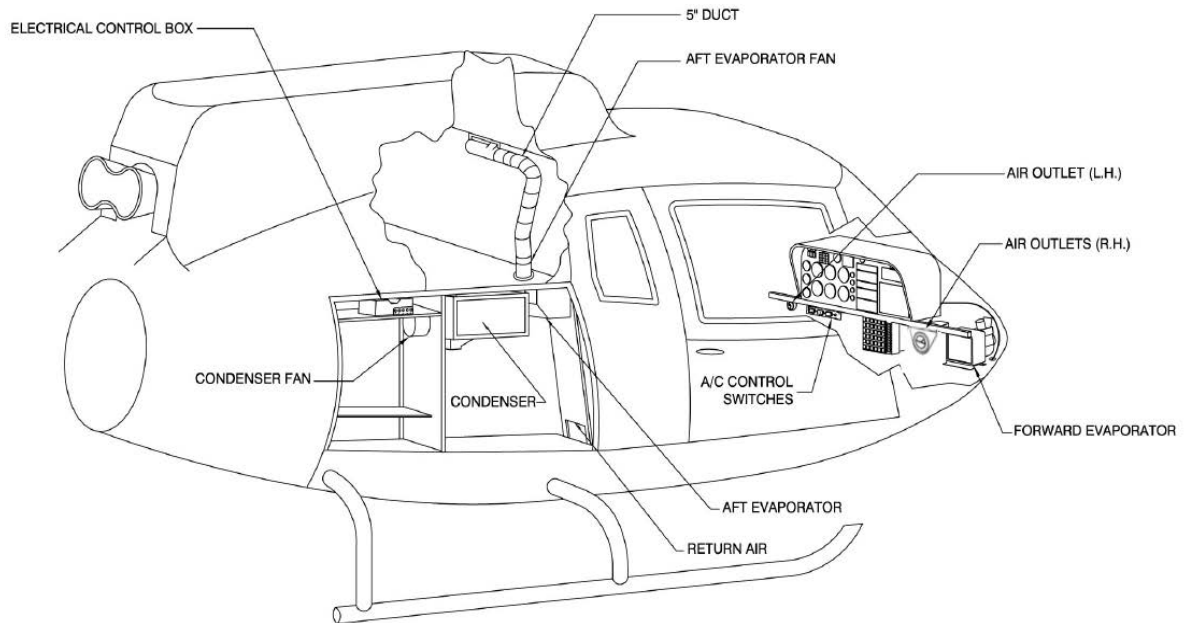
PART NUMBER (-031)
AFT MOUNTED OPTION

350-00-031-HP AEC Basic Version



AIRBUS H125 (EUROCOPTER AS350) CABIN AIR CONDITIONING SYSTEM

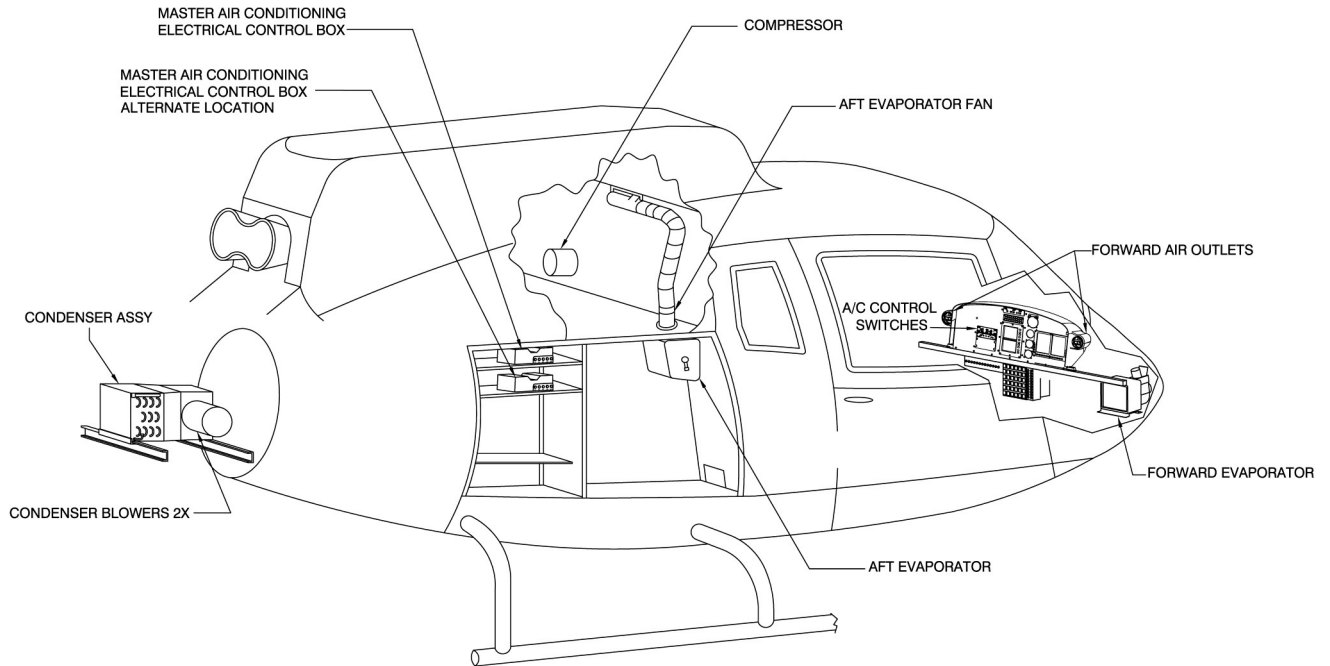
CONFIGURATION OPTIONS



SIDE MOUNTED OPTION (-011)

AIRBUS H125 (EUROCOPTER AS350) CABIN AIR CONDITIONING SYSTEM

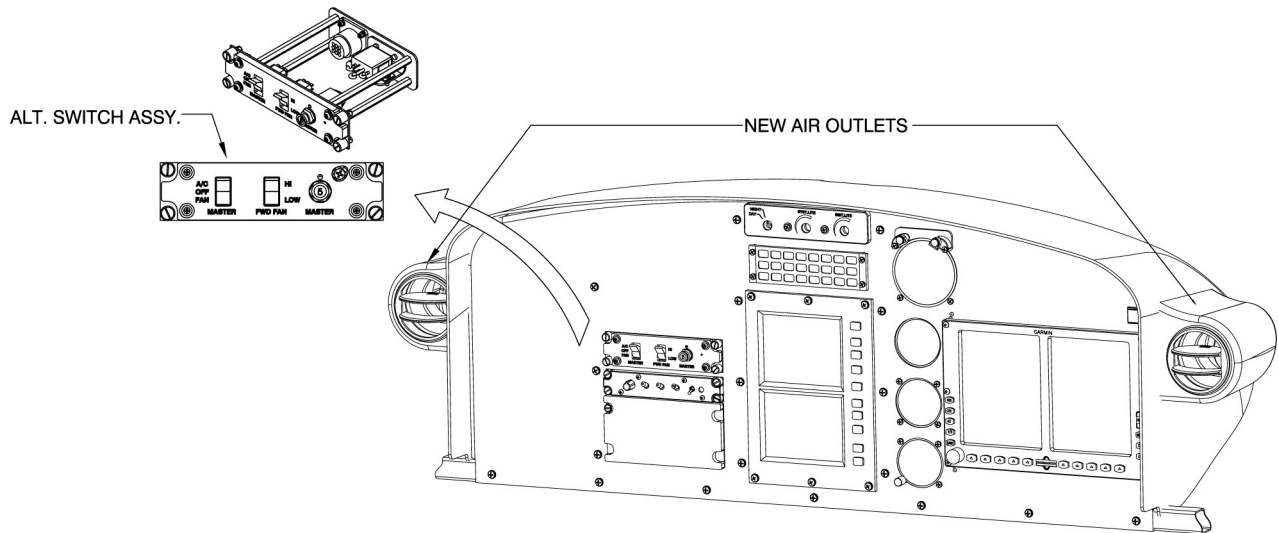
CONFIGURATION OPTIONS



AFT MOUNTED OPTION (-031)

AIRBUS H125 (EUROCOPTER AS350) CABIN AIR CONDITIONING SYSTEM

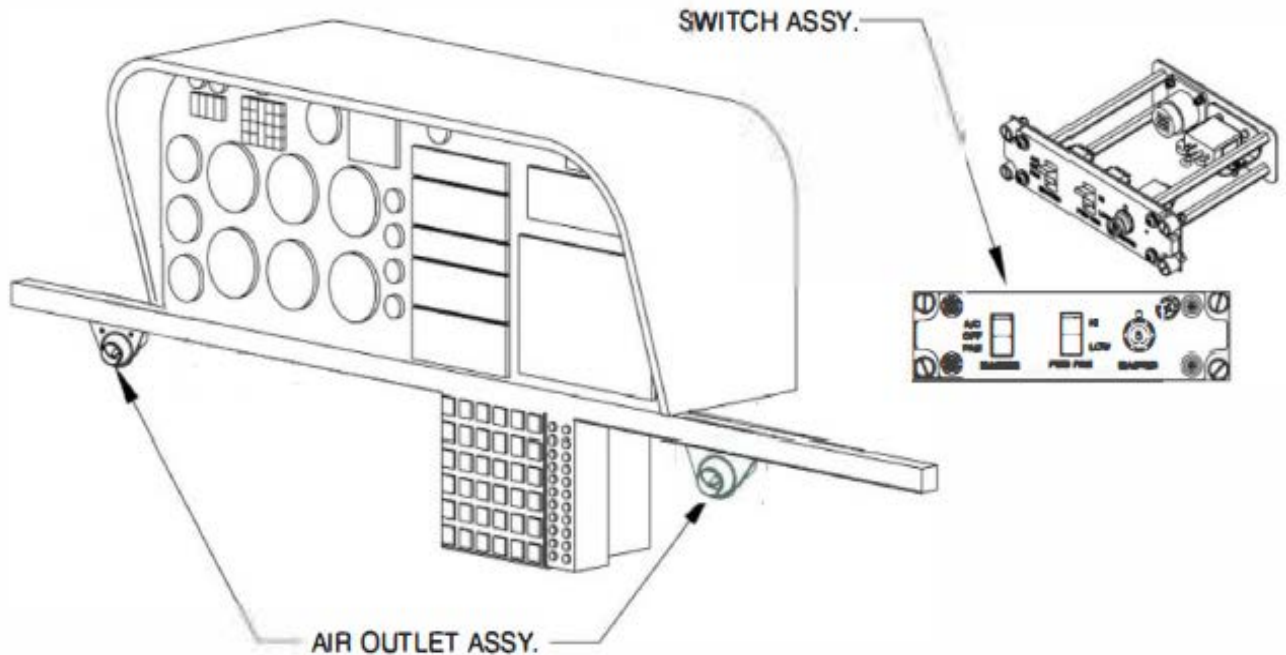
CONFIGURATION OPTIONS



BASIC VENT & SWITCH OPTION

AIRBUS H125 (EUROCOPTER AS350) CABIN AIR CONDITIONING SYSTEM

CONFIGURATION OPTIONS



BASIC VENT & SWITCH OPTION

AIRBUS H125 (EUROCOPTER AS350) CABIN AIR CONDITIONING SYSTEM

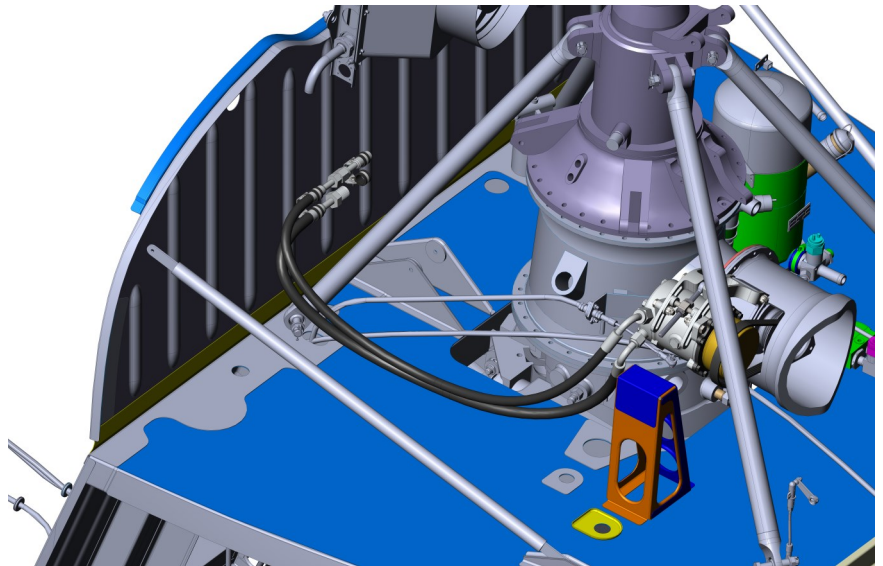
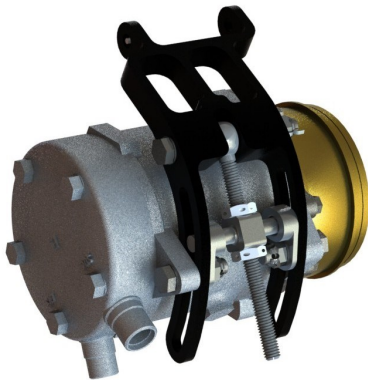
COMPRESSOR BRACKET & HOSE

The machined compressor bracket is lighter, stronger, easier to install and the tensioning mechanism has been simplified to reduce maintenance time and effort.

The hoses offer a quick disconnect system at the bulkhead to prevent damage from maintenance and easy access to the compressor interface.

Both options are standard features on new air conditioning system orders, but can be sold as upgrade kits because they are 100% compatible with pre-existing AS 350 and EC 130 RSG (IFS) air conditioning.

These premium features have been designed with customers primary needs in mind to reduce maintenance time and replacement part cost.



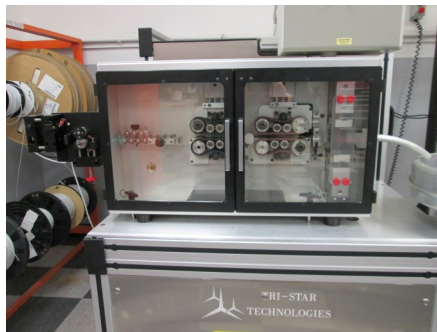
AIRBUS H125 (EUROCOPTER AS350) CABIN AIR CONDITIONING SYSTEM

PRE-FABRICATED WIRE & HOSE HARNESSSES

RSG Products Inc. has added value incorporated into the standard build of products and services offered with the use of the Tri-Star UV laser marking system. This device automatically de-reels the wire as it pre-treats, measures, marks, in-line cures, cuts, strips and coils the wire and cable in one continuous, sequential process (markings meet all requirements of MIL-W-5088L). The addition of the machine greatly enhances the capability to process and construct harness assemblies with increased accuracy and quality as well as offering reduced lead times.

Providing pre-fabricated wire harnesses and hose assemblies is another way of showing we care about our customers by providing a time saving installation solution as well as maintaining the high quality of products we have offered for the last 40+ years.

RSG also offers wire harness assembly services to the aviation industry for various project requirements.



AIRBUS H125 (EUROCOPTER AS350) CABIN AIR CONDITIONING SYSTEM

BLOWER MOTOR MANUFACTURE

To provide FAA PMA high quality blower assemblies for use on helicopters, RSG dedicates time and resources to the design, certification, and manufacture it's own blower motors. This ensures we continue to provide quality products with short lead times and prevent obsolescence.

We provide 5" and 7" brushless blower motors for evaporator and condenser assemblies. All of our air conditioning systems utilize the brushless blower motors and any existing systems can be retrofitted from the brushed style motors to decrease replacement part cost and maintenance time.



**AIRBUS H125 (EUROCOPTER AS350)
CABIN AIR CONDITIONING SYSTEM**

5-INCH DC BRUSHLESS BLOWER ASSEMBLY



IFSS 050143-2 DCB, REV A

Two Speed, Has Insulation with Foil Covering, two Ferrites & Heat Shrink. For use on the aft evaporator on H125 (AS350) and dual evaporators on H130 (EC130 B4) models.



IFSS 050143-3 DCB

Single Speed, No Insulation, with 1 Ferrite & Heat Shrink. For use on dual blower aft mounted condenser on H125 (AS350) model.

AIRBUS H125 (EUROCOPTER AS350) CABIN AIR CONDITIONING SYSTEM

7-INCH DC BRUSHLESS BLOWER ASSEMBLY

The 7" DC Brushless Blower is approved for installation on the H125 (AS350) series and H130 (EC130 B4) helicopters. The short housing blower assembly is part number IFSS 050084-7-2. The long housing blower assembly is part number IFSS 050084-7-3. These are a direct replacement for any other 7" blower previously installed.



P/N: IFSS 050084-7-2
7-inch DC Brushless Blower
Short Housing Assembly



P/N: IFSS 050084-7-3
7-inch DC Brushless Blower
Long Housing Assembly

AIRBUS H125 (EUROCOPTER AS350) CABIN AIR CONDITIONING SYSTEM

AIR CONDITIONING SERVICE KIT

RSG offers a custom Air Conditioning Service kit (PN: SK008) that includes everything necessary to maintain, vacuum, and properly charge your helicopter air conditioning system.

Each kit features:

- Manifold Gauge Set to Assist in Servicing as well as Trouble Shooting
- 134a Leak Detector to Help Pinpoint Difficult to Find Slow Leaks
- Lightweight Pressure Vacuum Tool
- Compressor Clutch Removal Tool
- Temperature Probe Set to Measure Performance
- Replacement O-Rings
- Fin Comb Set
- Valve Core Remover
- Nap Ring Pliers
- Digital Weight Scale to Measure Refrigerant
- 134a Tap Adaptor for Using 12 Ounce Refrigerant Cans
- Custom Pelican Box



* Training services for proper maintenance and repair for helicopter air conditioning systems are also available. Please call for details.

OTHER CAPABILITIES & SERVICES

RSG also offers services as an FAA PMA Part 21 Manufacturing Facility to the needs of other aerospace customers. We have an extensive list of capabilities through in-house processes and our expansive approved vendor network. PMA approval on STC kits can be obtained through our facility as well as design and FAA STC approval.

CUSTOM FABRICATION

- Assembly
- Sheet Metal
- Composite Structures
- Thermal Forming
- Instrument Panels

FINISHING

- Alodine
- Prime
- Paint
- Custom wrap

UV LASER WIRE MARKING

- Harness Component Kitting
- Electrical Component Assembly

CUSTOM KITTING

- Vacuum Boarding
- Bagging and Boxing
- Crating
- Custom Packaging
- P/N Barcoding (for receiving)

FAA STC APPROVAL

- Project Specific Certification Plan
- Engineering Design & Compliance Data
- Conformity Plan & Report
- Interior Compliance Analysis
- Egress Analysis and Test Plan
- Instructions for Continued Airworthiness
- Flight Test Plan and Report
- Draft Flight Manual Supplements
- Draft Type Inspection Authorization
- FAA DER/DAR Consultants Staff



Rotorcraft Services Group

440 West Lane, Suite 100, Saginaw, TX 76131

Products

Aviation

AeroDesign

p.817.624.6600

p.817-625-0192

p.817-625-9000

sales@rotorcrafternservices.com www.rotorcrafternservices.com

