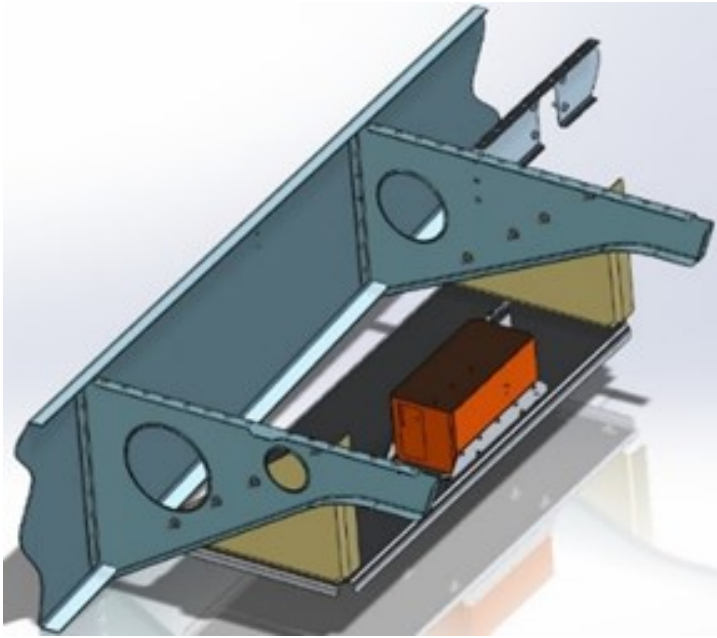


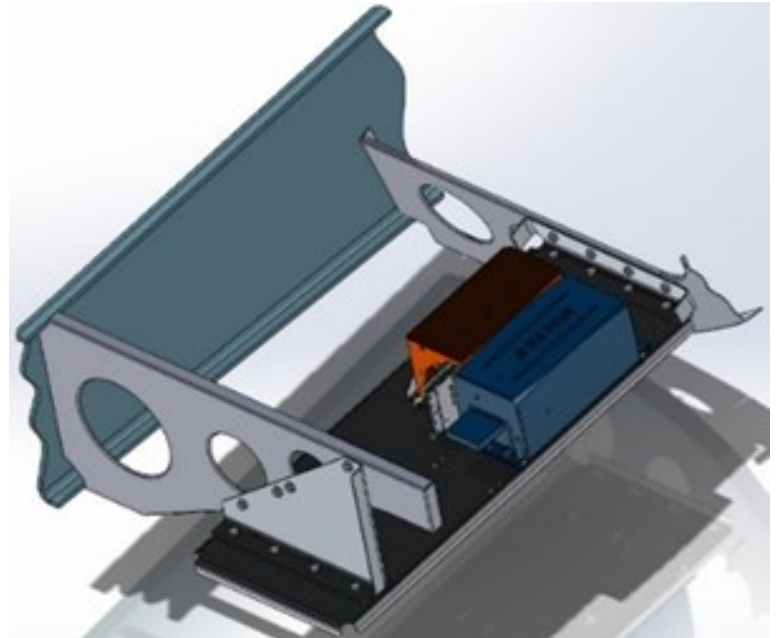
ALREADY STC APPROVED

UTILITY SHELVING OPTIONS H125/AS350/EC130

The Extra Space You Need For Mounting Avionics Equipment



K00-00641-03



K00-00641-01

RSG Products manufactures PMA'd kits for the installation of the Garmin G500H glass cockpit in the Airbus H125 (Eurocopter AS350B2, AS350B3) and EC130B4 and T2 helicopter models. These kits are available in three distinct versions to meet local installation requirements and are ideal for providing the extra space you need to mount all of your additional power supplies and avionics equipment. RSG Aviation is also an approved Garmin distributor and offers a full line of products and installation services for all your avionics needs.

Features & Benefits:

- 4 Lbs. (.18 Kg) Lightweight Modular Design
- Distributed Max Weight of 30 Lbs. on Shelf
- Shelf Has 20.5 in. x 7.5 in. of Usable Area
- All Hardware Included
- Designed for Easy Installation and Quick Removal

Mounting Options Include:

- Right Hand Baggage Compartment
- Left Hand Baggage Compartment
- Right Hand Undercarriage
- Left Hand Undercarriage
- EC130 T2 Left Hand Baggage Compartment

